

# MR. FLOWOUT®

## INSTALLATION • INSTALACIÓN INSTALLATIE • INSTALLAZIONE • ASENNUS INSTALACJA • INSTALACE

### STEP 1

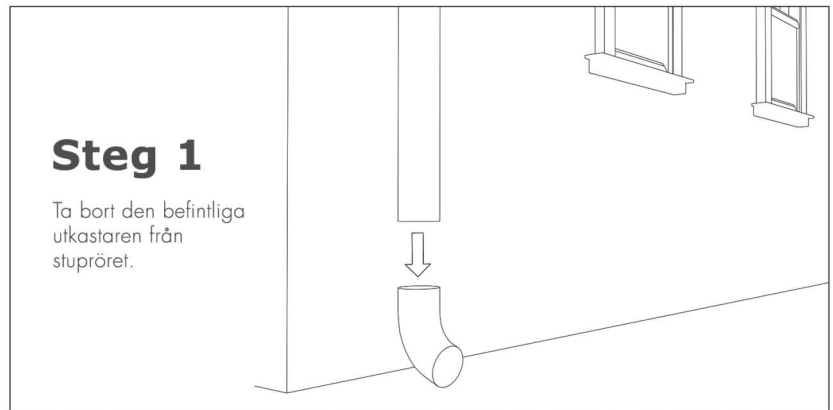
Remove existing downtube end.

Entfernen Sie das vorhandene Rohr

Retire el tubo existente

Rimuovi il tubo esistente

Verwijder de bestaande buis



### STEP 2

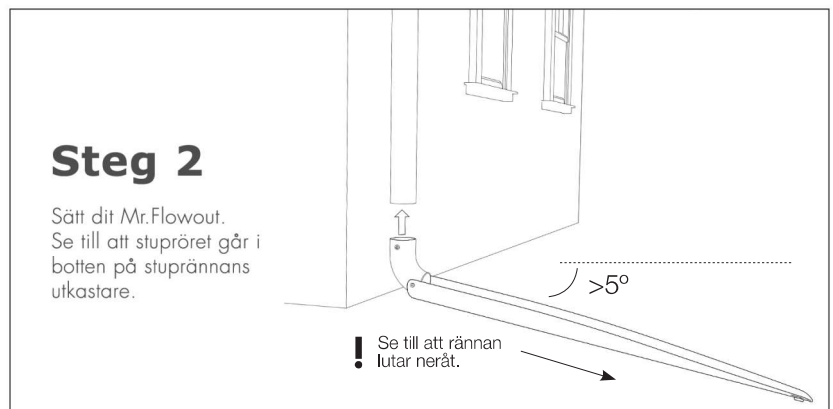
Attach Mr Flowout – Make sure you insert it fully.

Anfügen Mr Flowout.

Adjuntar Mr Flowout.

Vastmaken Mr Flowout.

Allega Mr Flowout.



### STEP 3

Use the included screws (PH2)

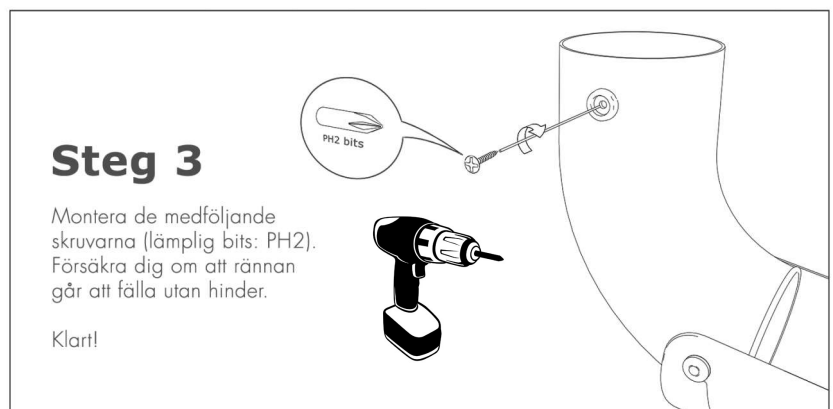
Verwenden Sie die angebrachten

Schrauben

Utilice los tornillos incluidos

Usa le viti incluse

Gebruik de meegeleverde schroeven



### Do you have a non-magnetic downpipe?

If your downpipe is non-magnetic (for example, downpipes of plastic or aluminium): Use the extra screw as a magnetic receiver on the same height as the magnet on Mr. Flowout in up-folded position.

